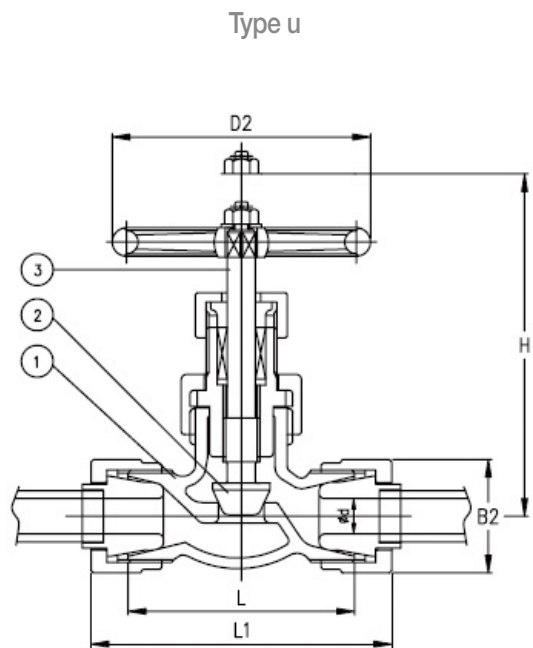
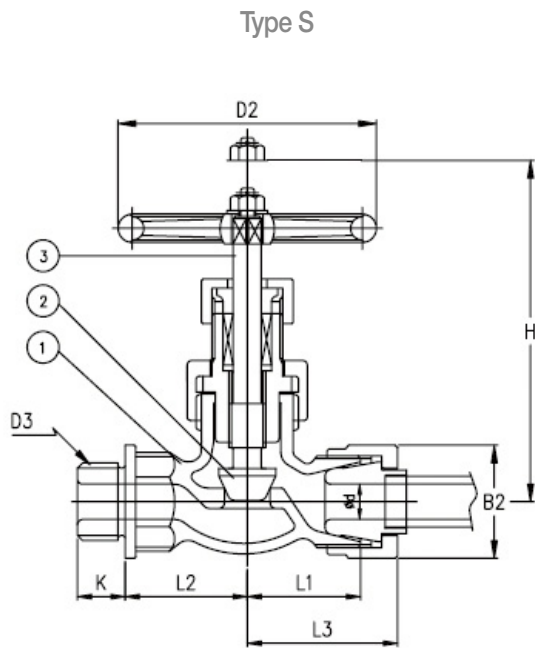




# MARINE BRONZE 20K GLOBE VALVE (TYPE S, TYPE U) - JIS F7388

Manufactured in accordance to JIS F7400



No.	Component	Material
1	Body	Bronze
2	Disc	Bronze
2	Stem	Brass

Nominal Dia	Test Pressure	
	Body	Plug
6 and 10	42kg	30.8kg

Type	Size	Pipe Out Dia		L	L1	L2	L3	K	D3	B2	H	D2
		Copper	Steel									
S Type	6A	8/10	10.5	-	32	32	41	12	M20x1.5	30	100	63
	10A	15	17.3	-	36	35	48	16	M24x2	41	115	80
U Type	6A	8/10	10.5	64	82	-	-	-	-	30	100	63
	10A	15	17.3	72	96	-	-	-	-	41	115	80